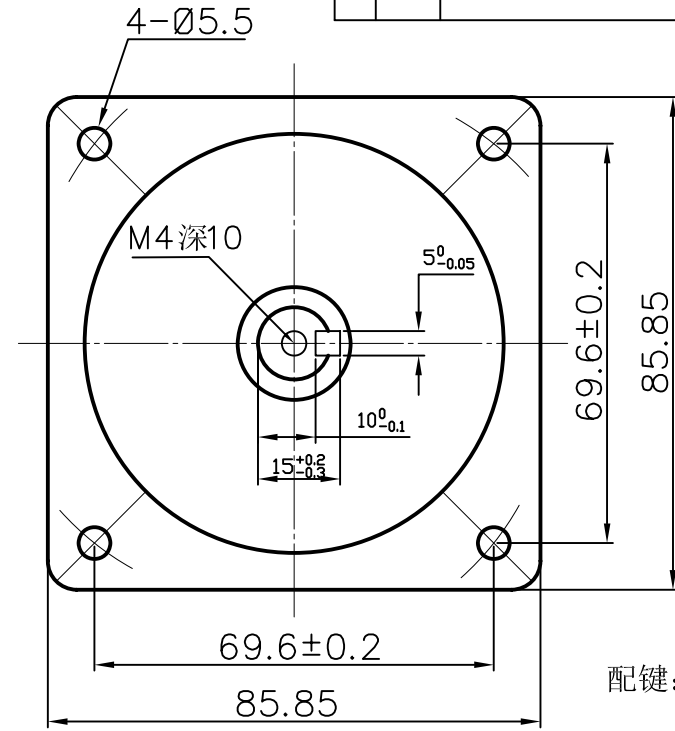
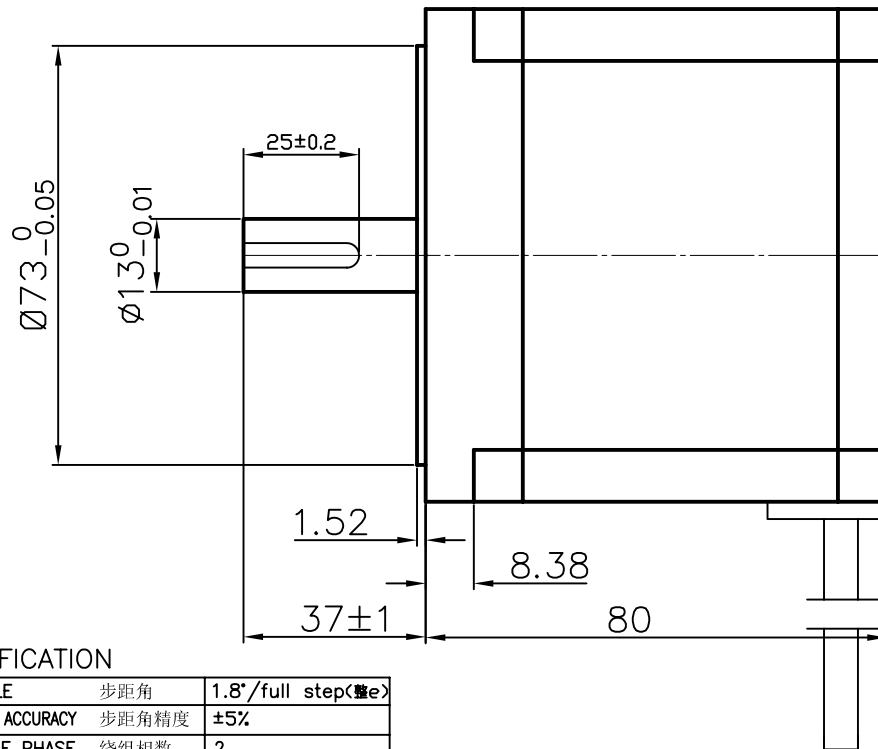
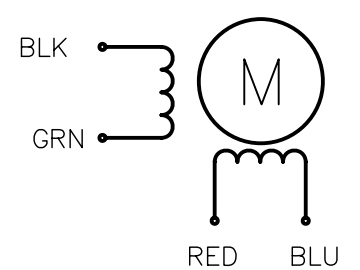


Dimension:



配键: C5*5*25

Wiring Diagram:



UL1332-AWG18#长500mm

SPECIFICATION

STEP ANGLE	步距角	1.8°/full step(整e)
STEP ANGLE ACCURACY	步距角精度	±5%
NUMBER OF PHASE	绕组相数	2
RATED VOLTAGE	额定电压	2.28 VDC
RATED CURRENT	额定电流	6.0 A
RESISTANCE/PHASE	每相电阻	0.38±10% ohms@20°C
INDUCTANCE/PHASE	每相电感	3.5±20% mH@1kHz
HOLDING TORQUE	保持转矩	4.5 N.m
PULL OUT TORQUE	运行转矩	N.m@ RPM
BACK EMF	反电动势	V @300RPM
DETENT TORQUE	定位转矩	N.m
ROTOR INERTIA	转子转动惯量	1400 g.cm ²
WEIGHT	重量	2.3 Kg

TEMPERATURE RISE	温升	Less than 80K(小于80)	AXIAL-FORCE 轴向压力	Fa=60 N Max.
SOURCE VOLTAGE	驱动器电压	VDC	DISTANCE 距离	a=20 mm
INSULATION CLASS	绝缘等级	B 130°C	RADIAL-FORCE 径向压力	Fr=220 N Max.
DIELECTRIC STRENGTH	介电强度	750VAC 1MIN	SHAFT RADIAL PLAY 径向间隙	0.02mm Max. @4N
INSULATION RESISTANCE	绝缘电阻	100MOhm @500VDC	SHAFT AXIAL PLAY 轴向间隙	0.08mm Max. @4N
IP CODE	防护等级	IP30		
OPERATION AMBIENT	使用环境	Ambient temperature:-25...+40°C, humidity Max. 85%(No condensation)		
STORAGE AMBIENT	存储环境	Ambient temperature:-10...+35°C, humidity Max. 85%(No condensation)		

UNLESS OTHERWISE SPECIFIED TOLERANCES	
DECIMALS:	ANGULAR:
.x ±0.5	±0°30'
.xx ±0.25	
.xxx ±0.1	
UNIT: mm	
DO NOT SCALE DRAWING	

DESIGN	DATE
CHECK	
APPD	
FIRST ANGLE PROJECTION	SCALE NTS
	SHEET OF

P/N.	3.1.01.086.1384
TITLE	Specifications
USED ON	2S86Q-4580
DWG NO.	REV
Kinco Motor	

REV	ECN NO.	DESCRIPTION	DRN	APP'D	DATE